

FIRST BUILT RUN791/38144



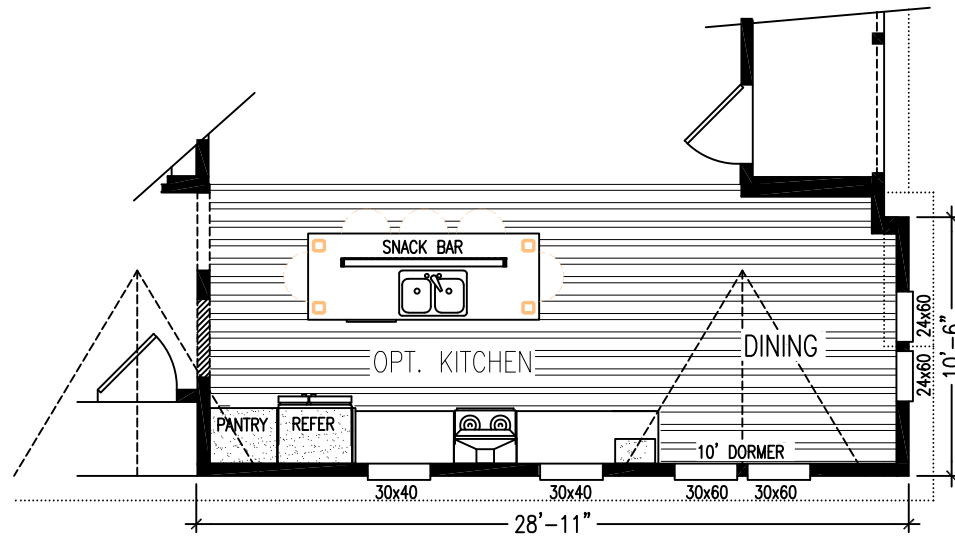
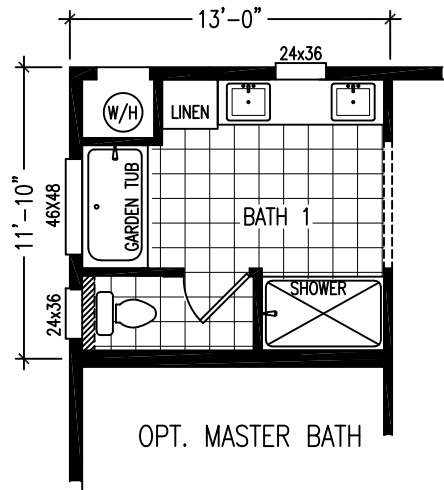
9998 OLD PLACERVILLE ROAD  
 Sacramento, CA. 95827  
 Phone: (916) 363-2681; Fax: (916) 363-4537  
 www.claytonhomes.com www.karstenhomes.com

DRAWING TITLE: **SALES FLOOR PLAN**

DRAWING FILE INFORMATION: STANDARD AS OF REVISION DATE

PRODUCT: CORONADO SERIES	DESRIP.: 3760-3A	MODEL NO.: COR37603A
	SQUARE FT.: 1976/2116	DATE: 02/08/19
DRAWN BY:	SHEET:	REVISED: 12-04-20

Dec 20, 2020 - 12:45pm H:\HLD HOMES\STD\2021\CGR-302\LOOR\_3\SECT\CGR37603A.dwg



9998 OLD PLACERVILLE ROAD  
 SACRAMENTO, CA. 95827  
 Phone: (916) 363-2681; Fax: (916) 363-4537  
 www.claytonhomes.com www.karstenhomes.com

DRAWING TITLE:

# OPT. SALES FLOOR PLAN

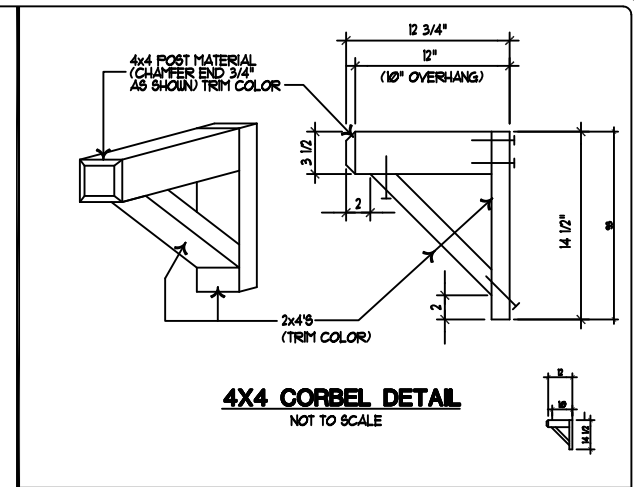
DRAWING FILE INFORMATION:

STANDARD AS OF REVISION DATE

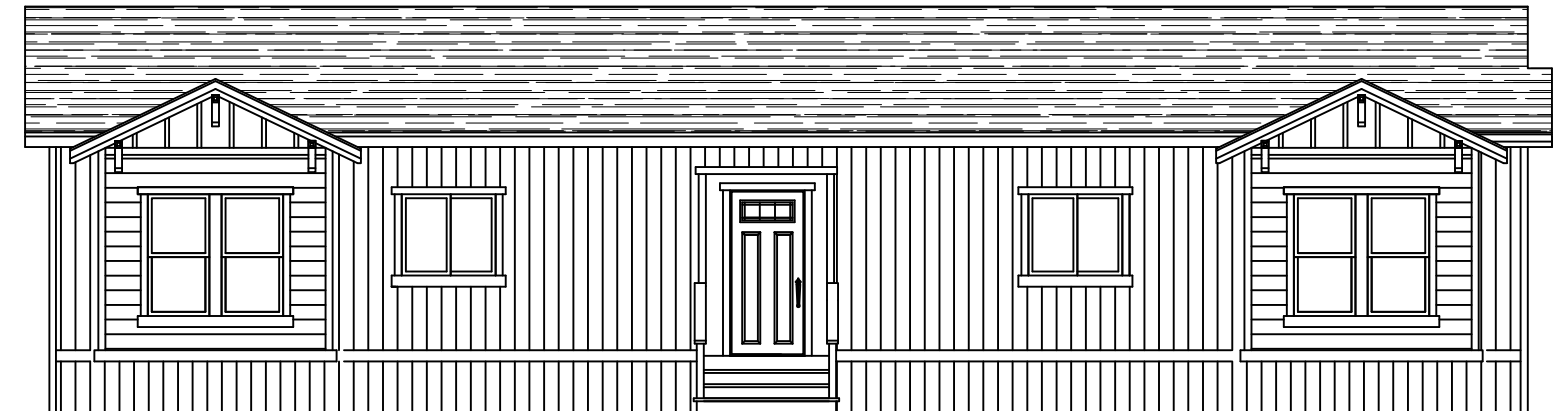
PRODUCT: CORONADO SERIES	DESRIP.: 3760-3A	MODEL NO.: COR37603A
	SQUARE FT.: 1976	DATE: 02/08/19
DRAWN BY: i.k.	SHEET:	REVISED: 04-22-20



**STANDARD FRONT END ELEVATION**



**4X4 CORBEL DETAIL**  
NOT TO SCALE



**STANDARD FRONT SIDEWALL ELEVATION**

**CRAFTSMAN EXTERIOR**



9998 OLD PLACERVILLE ROAD  
Sacramento, CA. 95827  
Phone: (916) 363-2681; Fax: (916) 363-4537  
www.claytonhomes.com www.karstenhomes.com

DRAWING TITLE:

*EXTERIOR ELEVATIONS*

DRAWING FILE INFORMATION:

STANDARD AS OF REVISION DATE

PRODUCT:  
CORONADO SERIES

DESRI.:  
3760-3B

MODEL NO.:  
COR37603A

SQUARE FT.:

DATE:  
02/08/19

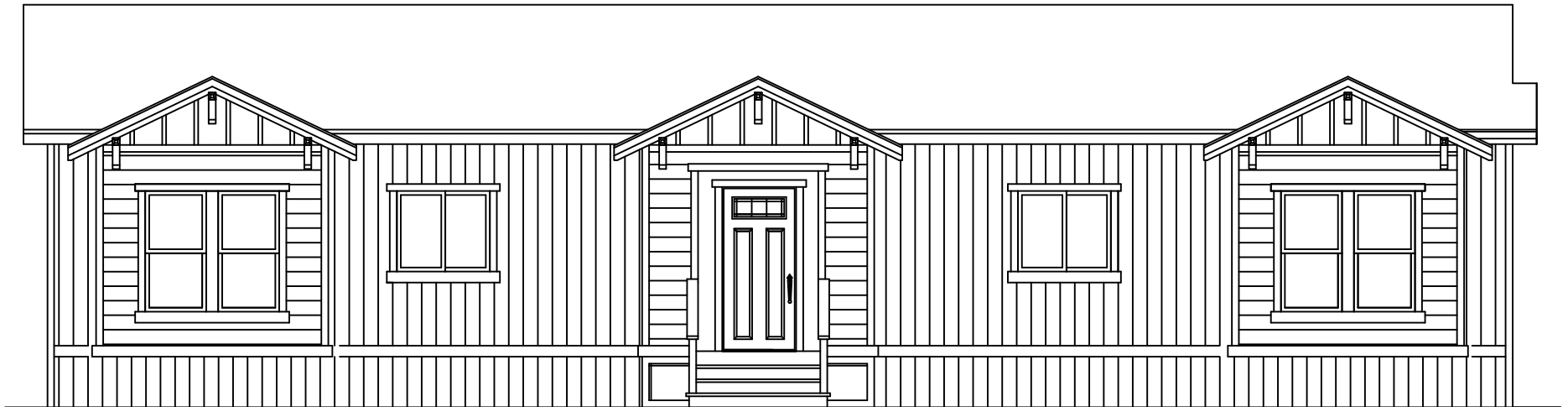
DRAWN BY:

SHEET:  
2-A

REVISED:  
08-20-13

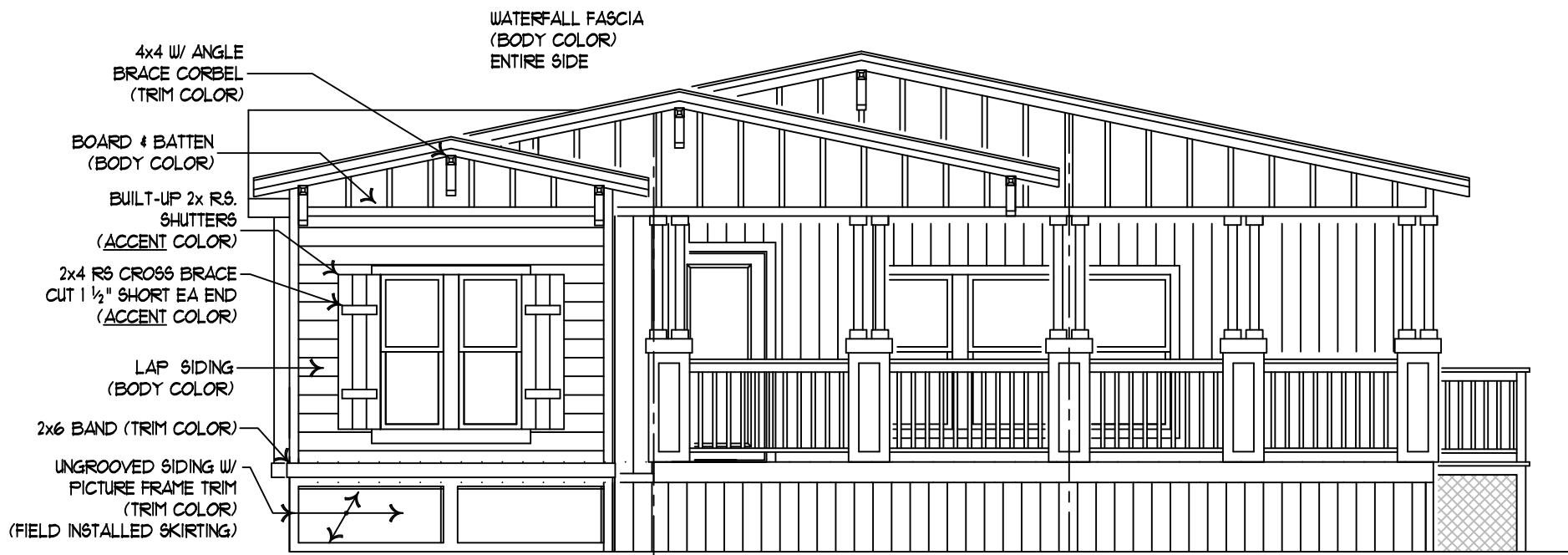


**OPTION UPGRADE FRONT END ELEVATION**



**OPTION - 3 DORMER FRONT SIDEWALL ELEVATION**

**PREMIUM CRAFTSMAN EXTERIOR - Coronado 3760-3A**



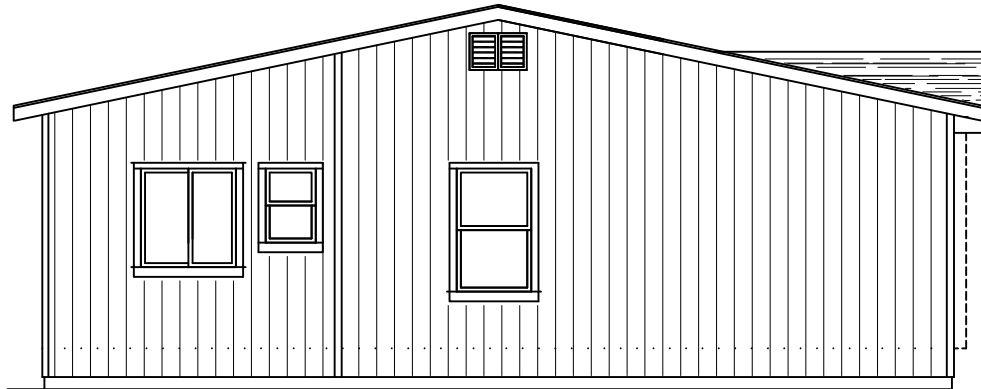
**OPTION DELUXE FRONT END ELEVATION**

(2) 09.19.19 dh

**DELUXE CRAFTSMAN EXTERIOR - Coronado 3760-3A**

### Legend

- A - Composition Shingle Roof
- B - Hardboard 8" V-Groove - (Body Color)
- C - 1x3" Rough Sawn - (Trim Color)
- D - 1X3" Rough Sawn - (Body Color)
- E - 2x8" Rough Sawn - (Trim Color)
- F - Light



Rear Endwall Elevation



Rear Sidewall Elevation



9998 OLD PLACERVILLE ROAD  
 Sacramento, CA. 95827  
 Phone: (916) 363-2681; Fax: (916) 363-4537  
 www.claytonhomes.com www.karstenhomes.com

DRAWING  
 TITLE:

## EXTERIOR ELEVATIONS-2

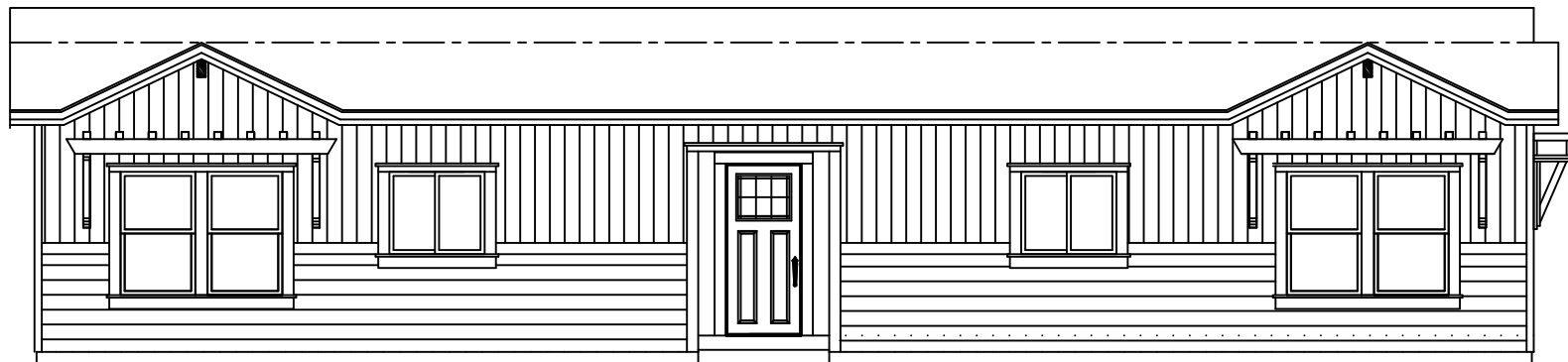
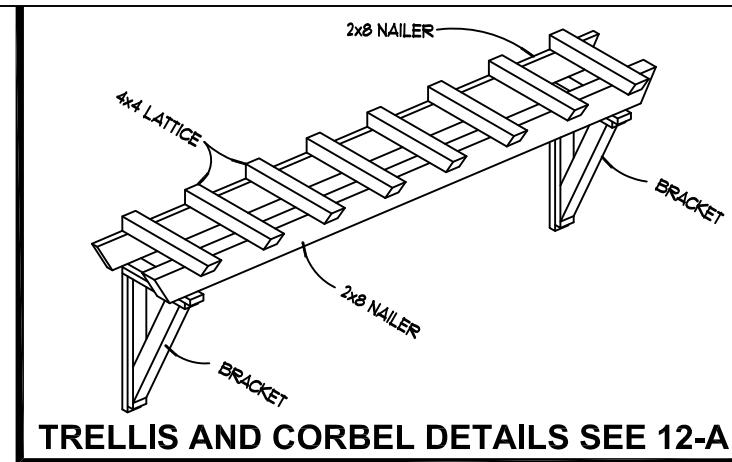
DRAWING FILE INFORMATION:

STANDARD AS OF REVISION DATE

PRODUCT: CORONADO SERIES	DESRIP.: 3760-3B	MODEL NO.: COR37603A
	SQUARE FT.:	DATE: 02/08/19
DRAWN BY:	SHEET: 2-B	REVISED:



**STANDARD FRONT END ELEVATION - TRELLIS**



**STANDARD FRONT SIDEWALL ELEVATION W/ TRELLIS**



9998 OLD PLACERVILLE ROAD  
 Sacramento, CA. 95827  
 Phone: (916) 363-2681; Fax: (916) 363-4537  
 www.claytonhomes.com www.karstenhomes.com

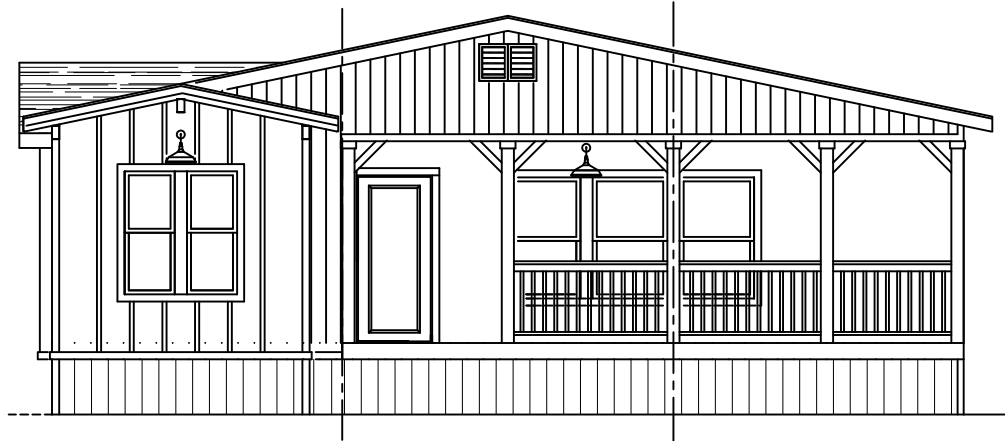
DRAWING  
 TITLE:

*ELEVATIONS-3*

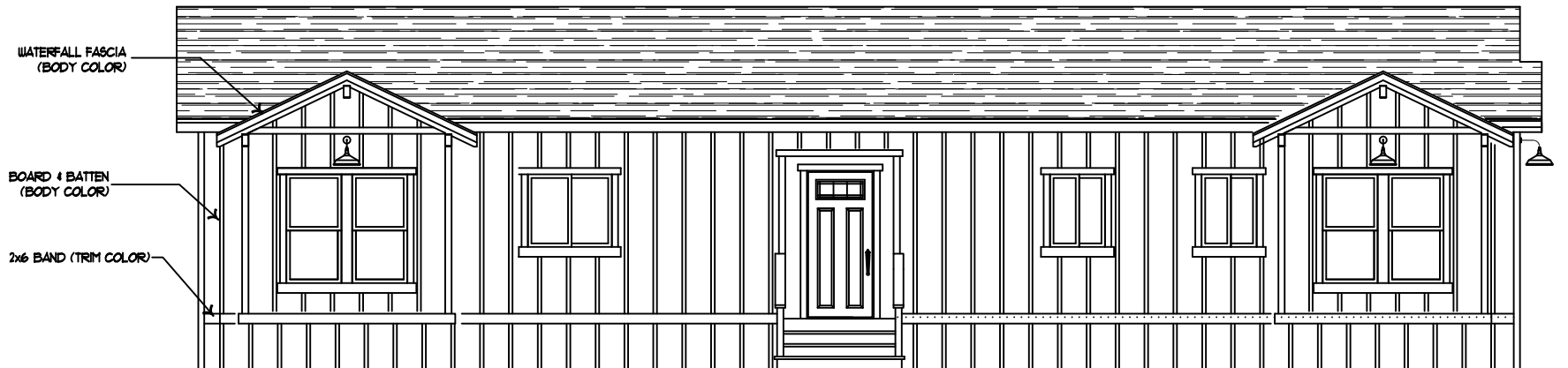
DRAWING FILE INFORMATION:

STANDARD AS OF REVISION DATE

PRODUCT: CORONADO SERIES	DESRI.: 3760-3B	MODEL NO.: COR37603A
	SQUARE FT.:	DATE: 02/08/19
DRAWN BY:	SHEET: 2-C	REVISED:



**STANDARD FRONT ENDWALL ELEVATION**  
 (FOR CLARITY OF ELEVATION, SIDING NOT SHOWN IN PORCH AREA)



**STANDARD FRONT DOOR SIDEWALL ELEVATION**  
**FARMHOUSE EXTERIOR - Coronado**



9998 OLD PLACERVILLE ROAD  
 Sacramento, CA. 95827  
 Phone: (916) 363-2681; Fax: (916) 363-4537  
 www.claytonhomes.com www.karstenhomes.com

DRAWING  
 TITLE:

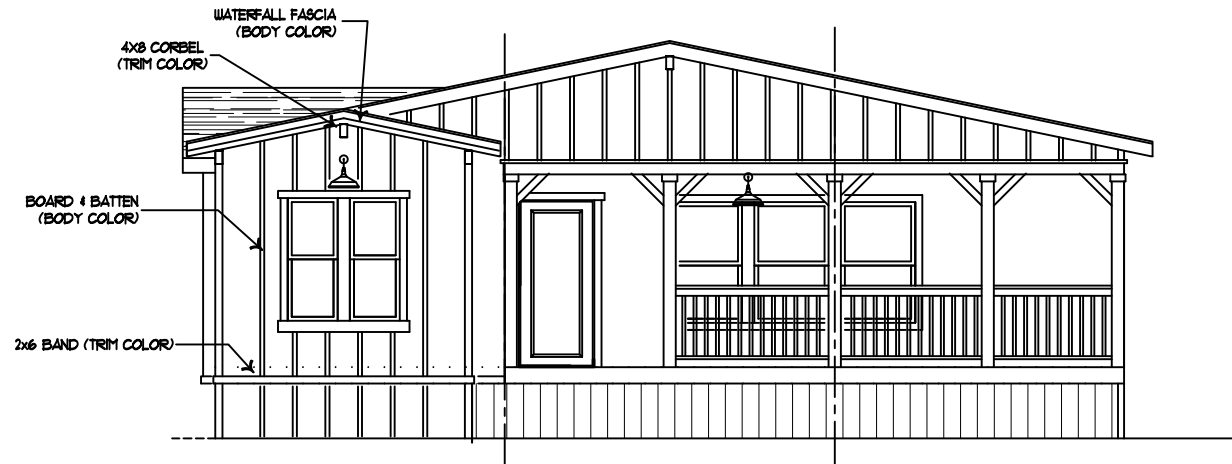
*ELEVATIONS-4*

DRAWING FILE INFORMATION:

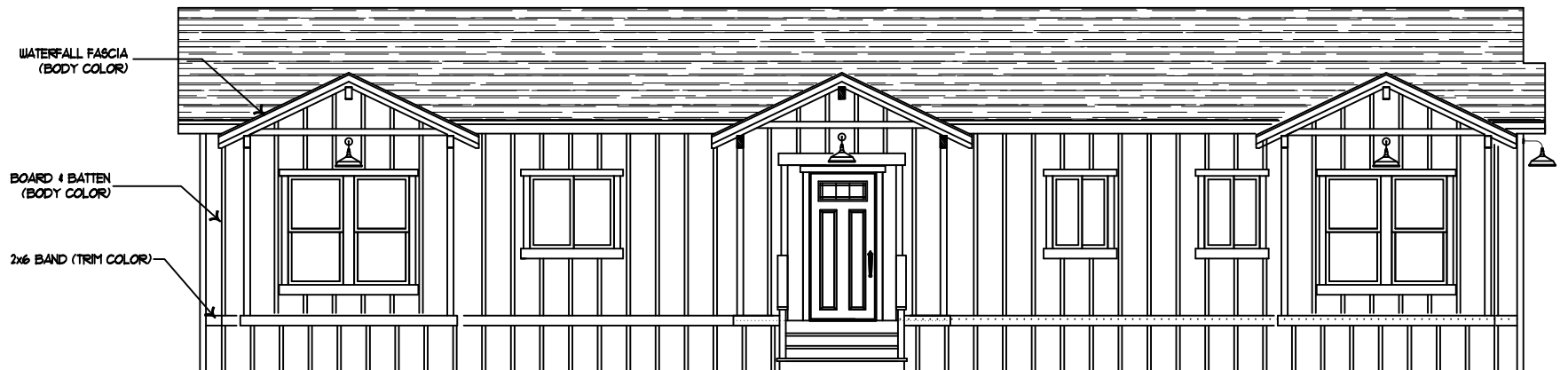
STANDARD AS OF REVISION DATE

PRODUCT: CORONADO SERIES	DESRI.: 3760-3A	MODEL NO.: COR37603A
	SQUARE FT.:	DATE: 02/08/19
DRAWN BY:	SHEET: 2-D	REVISED:





**OPTION UPGRADE FRONT END ELEVATION**  
 (FOR CLARITY OF ELEVATION, SIDING NOT SHOWN IN PORCH AREA)



**OPTION - 3 DORMER FRONT SIDEWALL ELEVATION**

**PREMIUM FARMHOUSE EXTERIOR - Coronado 3760-3A**



9998 OLD PLACERVILLE ROAD  
 Sacramento, CA. 95827  
 Phone: (916) 363-2681; Fax: (916) 363-4537  
 www.claytonhomes.com www.karstenhomes.com

DRAWING  
 TITLE:

*ELEVATIONS - 4*

DRAWING FILE INFORMATION:

STANDARD AS OF REVISION DATE

PRODUCT:  
 CORONADO SERIES

DESRI.:  
 3760-3A

MODEL NO.:  
 COR37603A

SQUARE FT.:

DATE:  
 02/08/19

DRAWN BY:

SHEET:  
 2-D.1

REVISED: