

9998 OLD PLACERVILLE ROAD  
 Sacramento, CA. 95827  
 Phone: (916) 363-2681; Fax: (916) 363-4537  
 www.claytonhomes.com www.karstenhomes.com

DRAWING  
 TITLE:

# SALES FLOOR PLAN (ZERH)

DRAWING FILE INFORMATION:

STANDARD AS OF REVISION DATE

PRODUCT:  
 CORONADO® SERIES

DESRIP.:  
 2758-B

MODEL NO.:  
 COR27583B

DRAWN BY:

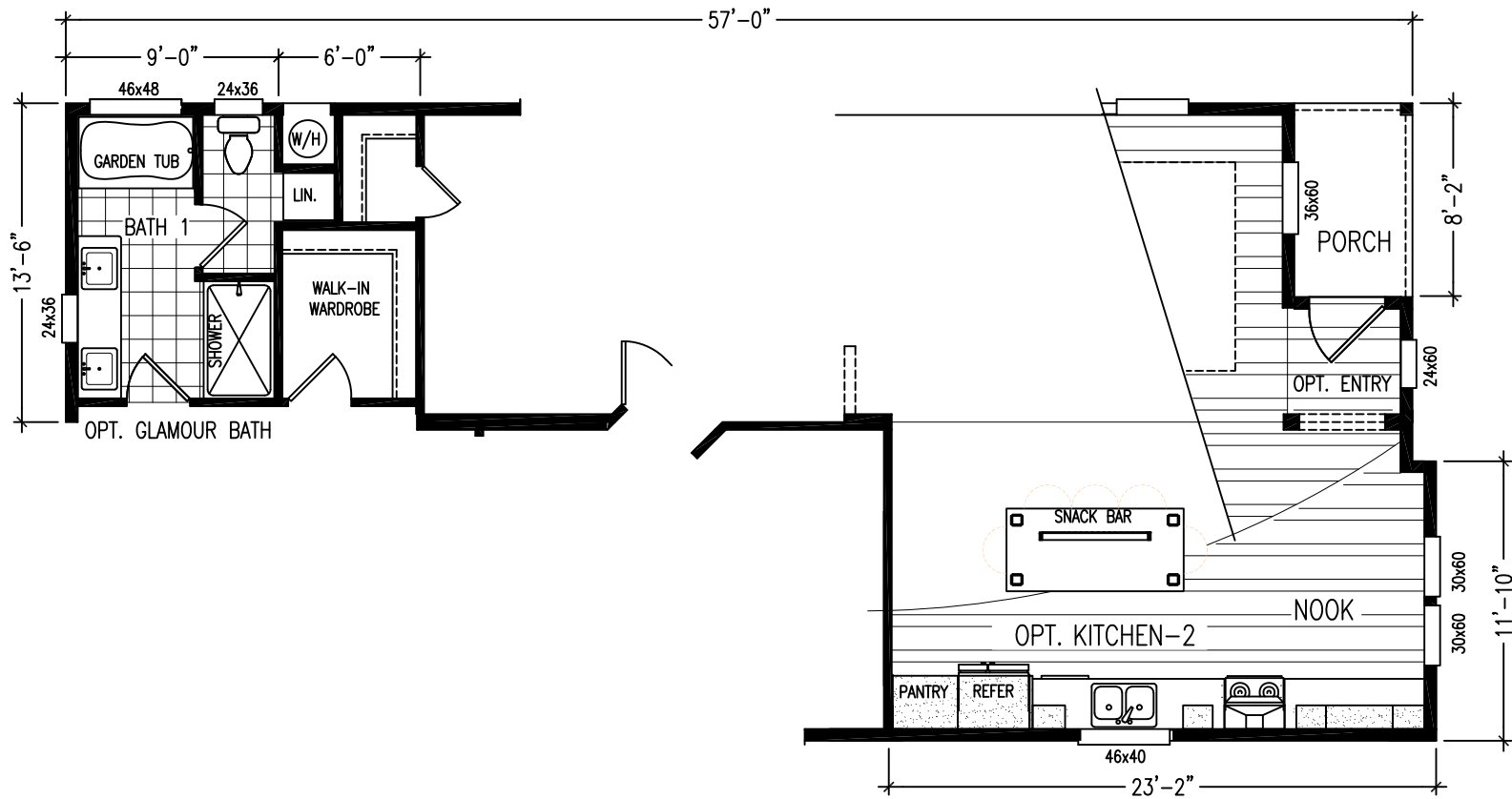
SHEET:

1-A

SQUARE FT.:  
 1485/1539/1593

DATE:  
 06/24/2019

REVISED:  
 06-07-2023



9998 OLD PLACERVILLE ROAD  
 Sacramento, CA. 95827  
 Phone: (916) 363-2681; Fax: (916) 363-4537  
 www.claytonhomes.com www.karstenhomes.com

DRAWING  
 TITLE:

# OPT. SALES FLOOR PLAN

DRAWING FILE INFORMATION:

STANDARD AS OF REVISION DATE

PRODUCT:  
 CORONADO<sup>®</sup> SERIES

DESRI<sup>•</sup>:  
 2758-B

MODEL NO.:  
 COR27583B

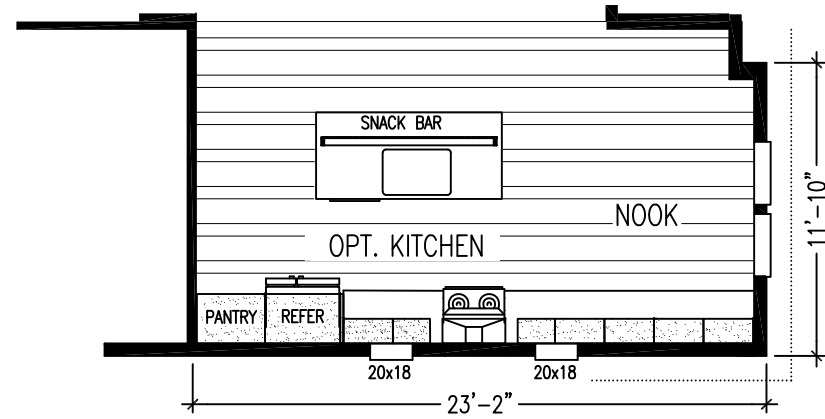
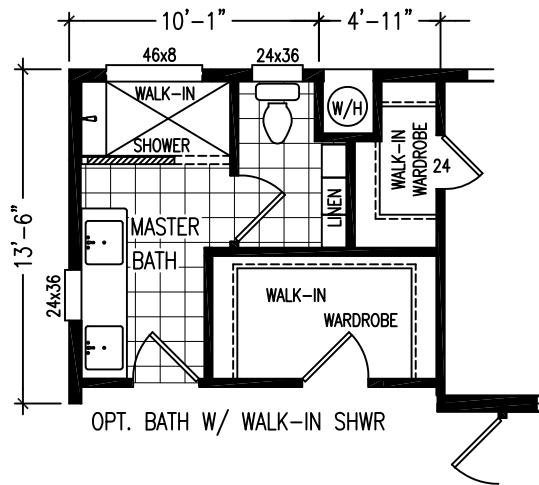
SQUARE FT.:  
 1485

DATE:  
 06/24/2019

DRAWN BY:

SHEET:

REVISED:  
 06-07-2023



9998 OLD PLACERVILLE ROAD  
 Sacramento, CA. 95827  
 Phone: (916) 363-2681; Fax: (916) 363-4537  
 www.claytonhomes.com www.karstenhomes.com

DRAWING  
 TITLE:

# OPT. SALES FLOOR PLAN-2

DRAWING FILE INFORMATION:

STANDARD AS OF REVISION DATE

PRODUCT:  
 CORONADO<sup>®</sup> SERIES

DESRIp.:  
 2758B

MODEL NO.:  
 COR27583B

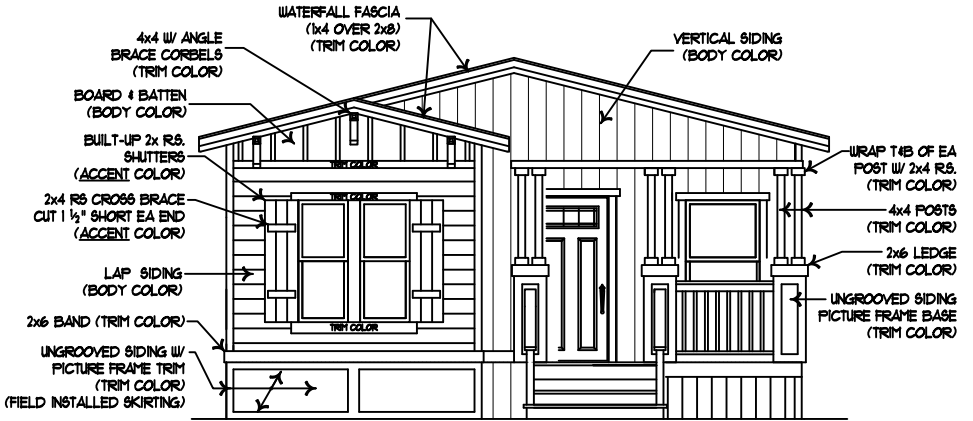
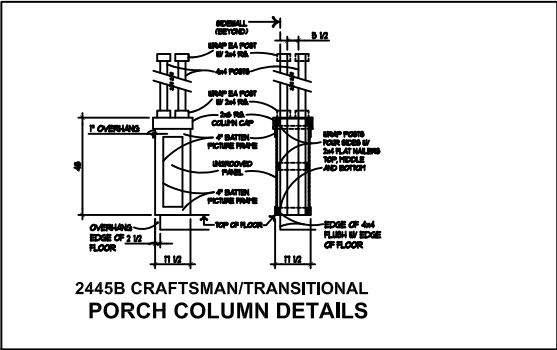
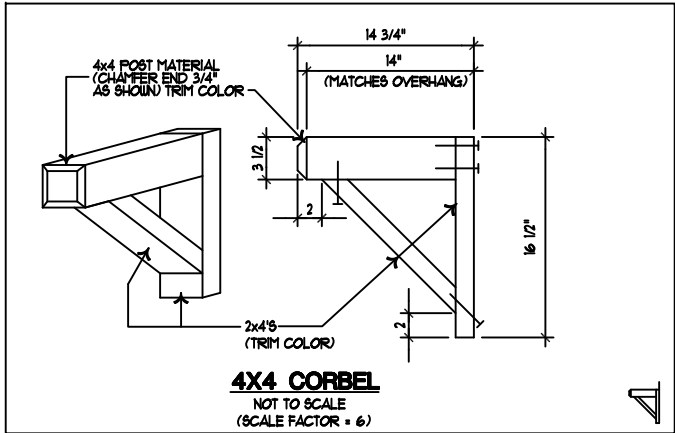
SQUARE FT.:  
 1485

DATE:  
 06/24/2019

DRAWN BY:

SHEET:  
 1-C1

REVISED:  
 01-07-20



**FRONT ENDWALL ELEVATION**

**CRAFTSMAN EXTERIOR**  
(WITH PORCH)

DRAWING TITLE:

*EXTERIOR ELEVATIONS*

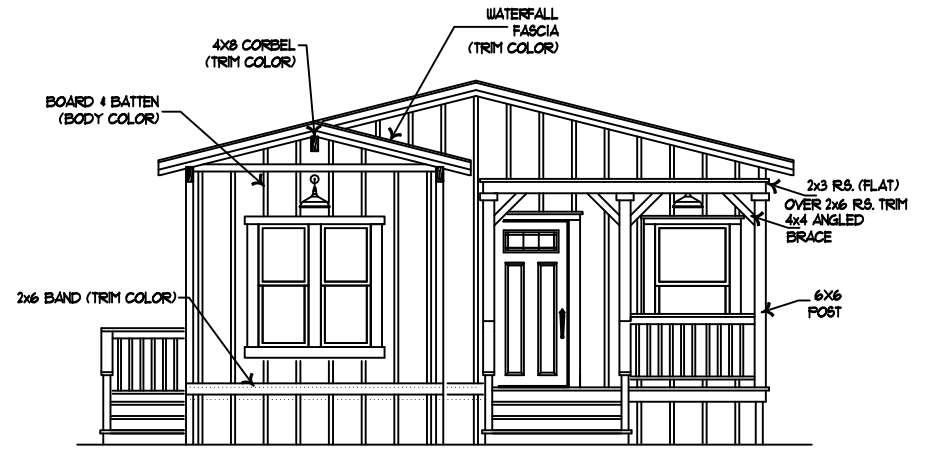
DRAWING FILE INFORMATION:

STANDARD AS OF REVISION DATE

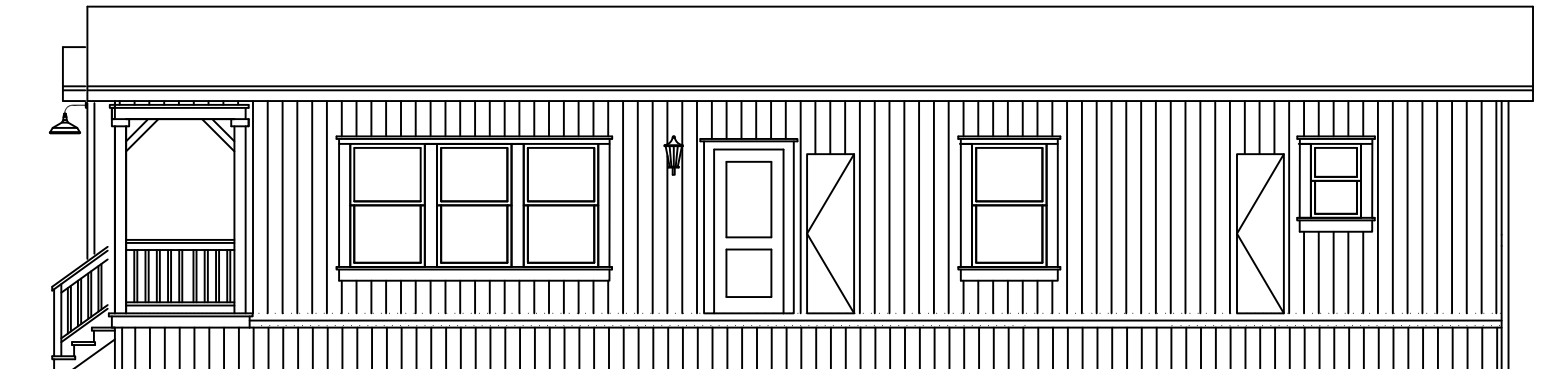
PRODUCT: CORONADO SERIES	DESRIP.: 2758B	MODEL NO.: COR27583B
	SQUARE FT.:	DATE: 06/24/2019
DRAWN BY:	SHEET: 2-A	REVISED: 08-20-13



9998 OLD PLACERVILLE ROAD  
Sacramento, CA. 95827  
Phone: (916) 363-2681; Fax: (916) 363-4537  
www.claytonhomes.com www.karstenhomes.com



Front Elevation FARMHOUSE



Right Side Elevation ( FARMHOUSE)

# FARMHOUSE EXTERIOR



9998 OLD PLACERVILLE ROAD  
 Sacramento, CA. 95827  
 Phone: (916) 363-2681; Fax: (916) 363-4537  
 www.claytonhomes.com www.karstenhomes.com

DRAWING  
 TITLE:

*EXTERIOR ELEVATIONS-5*

DRAWING FILE INFORMATION:

STANDARD AS OF REVISION DATE

PRODUCT:  
 CORONADO SERIES

DESRIP.:  
 2758B

MODEL NO.:  
 COR27583B

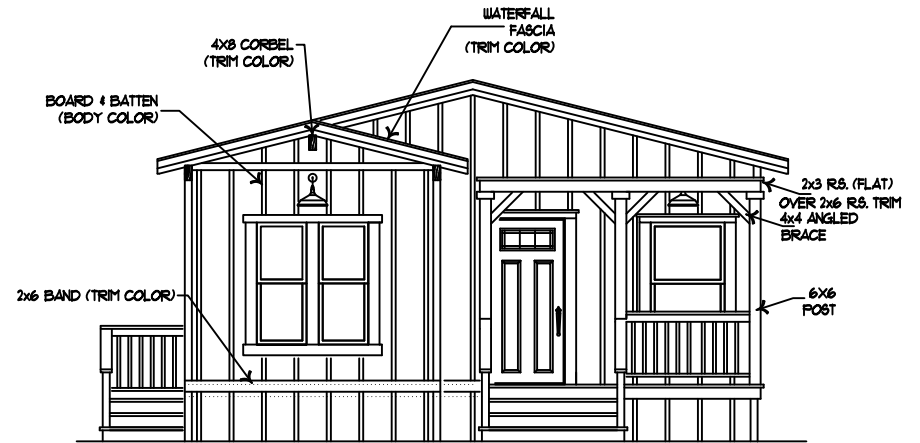
SQUARE FT.:

DATE:  
 06/24/2019

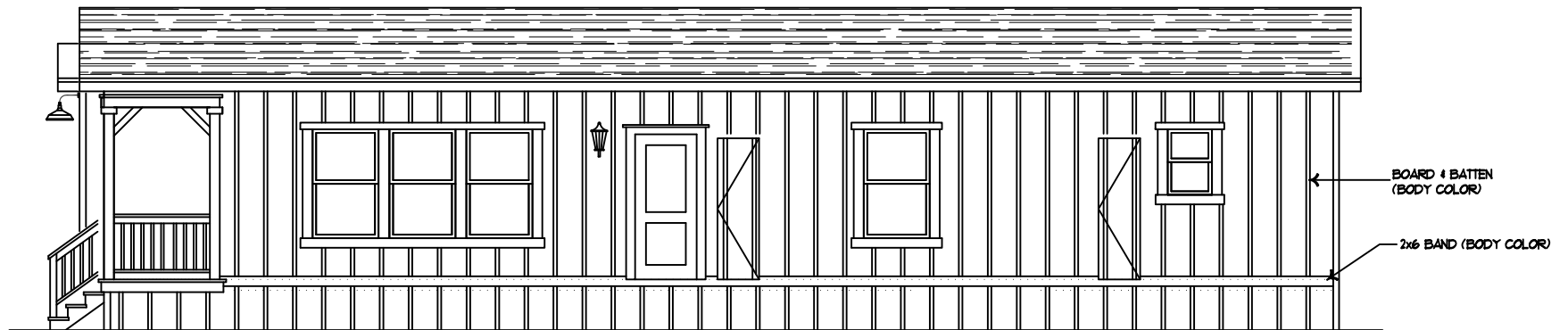
DRAWN BY:

SHEET:  
 2-E

REVISED:



Front Elevation FARMHOUSE



Right Side Elevation ( FARMHOUSE)  
(shown with Farmhouse B&B)

# FARMHOUSE ELEVATIONS



9998 OLD PLACERVILLE ROAD  
Sacramento, CA. 95827  
Phone: (916) 363-2681; Fax: (916) 363-4537  
www.claytonhomes.com www.karstenhomes.com

DRAWING  
TITLE:

*EXTERIOR ELEVATIONS-5.2*

DRAWING FILE INFORMATION:

STANDARD AS OF REVISION DATE

PRODUCT:

CORONADO SERIES

DESRIP.:

2758-B

MODEL NO.:

COR27583B

SQUARE FT.:

DATE:

08/26/19

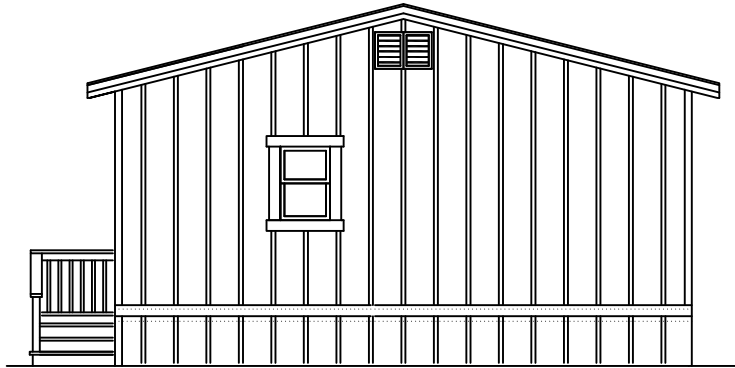
DRAWN BY:

SHEET:

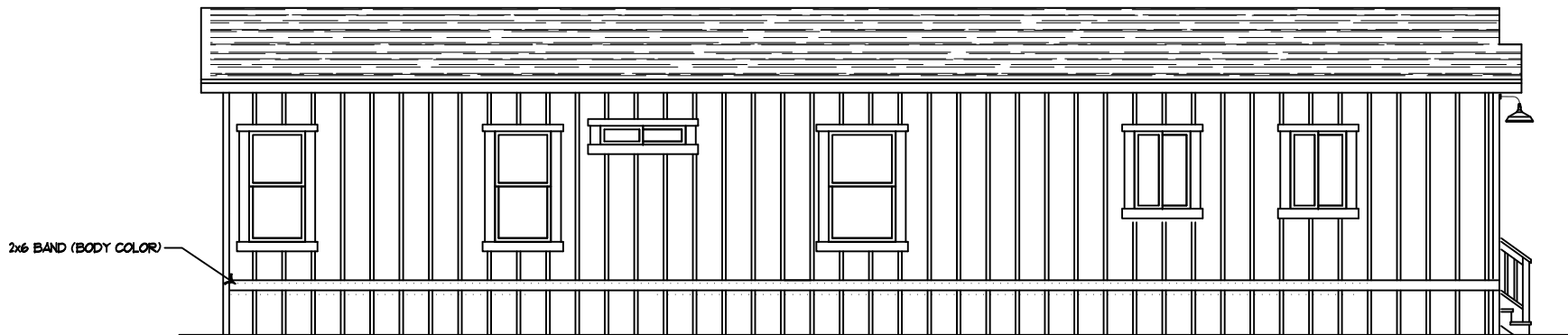
2-E.2

REVISED:

08-20-13



Rear Elevation FARMHOUSE  
(shown with Farmhouse B&B)



Left Side Elevation ( FARMHOUSE)  
(shown with Farmhouse B&B)

# FARMHOUSE ELEVATIONS

(shown with Great Room Opt.)



9998 OLD PLACERVILLE ROAD  
Sacramento, CA. 95827  
Phone: (916) 363-2681; Fax: (916) 363-4537  
www.claytonhomes.com www.karstenhomes.com

DRAWING  
TITLE:

*EXTERIOR ELEVATIONS-5.3*

DRAWING FILE INFORMATION:

STANDARD AS OF REVISION DATE

PRODUCT:  
CORONADO SERIES

DESRIP.:  
2758-B

MODEL NO.:  
COR27583B

SQUARE FT.:

DATE:  
08/26/19

DRAWN BY:

SHEET:  
*2-E.3*

REVISED:  
08-20-13